



KAWASAKI ZX-6R (2009)

SLIP-ON OPEN EXHAUST SYSTEM + OPTIONAL LINK PIPE

The dynamic superbike offers a great tuning platform for motorcyclists who desire something special. Our sporty and lightweight SLIP-ON systems offer a great balance between price and performance and represent the first step in the exhaust system tuning process.

The muffler outer sleeve is made of titanium or carbon-fiber, which gives a special hi-tech touch to our SLIP-ON system. We offer open exhaust system and link pipe for race track use only.

PERFORMANCE

Measurements of the Akrapovic SLIP-ON OPEN + optional link pipe system on the KAWASAKI ZX-6R (without muffler insert):

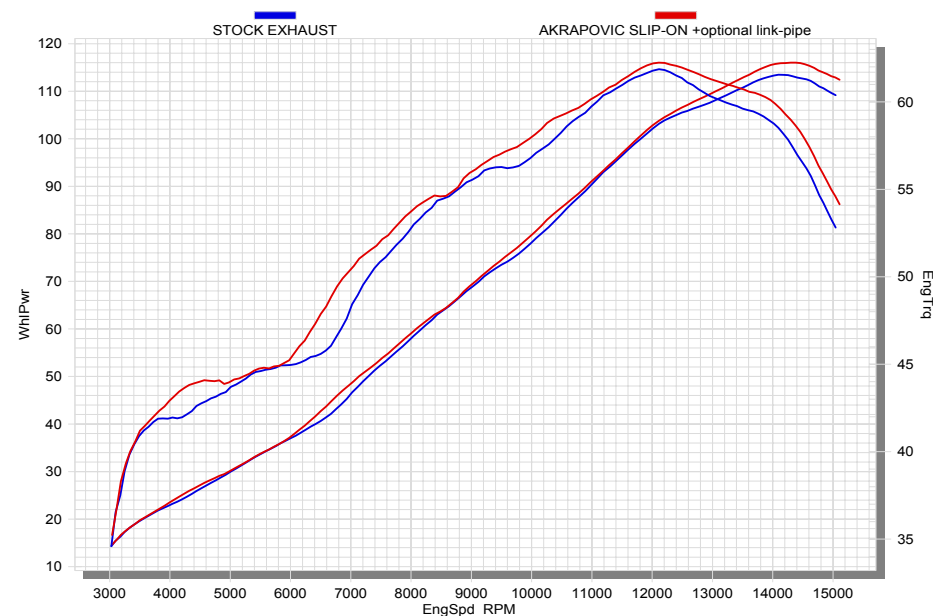
Power & Torque: the exhaust system modification with the SLIP-ON OPEN and optional link pipe system results in a major boost in performance, delivering a massive 117.2 HP at 14100 rpm on back wheel. But the increased power isn't available just at the top of the range; the system shows its quality already from 4000 rpm up through entire rpm range. Max. increased power between the Akrapovic and the stock system is 2.9 HP at 14350 rpm. Besides this, the torque is substantially higher in a lower rpm area at 3000 rpm and from middle to high rpm area.

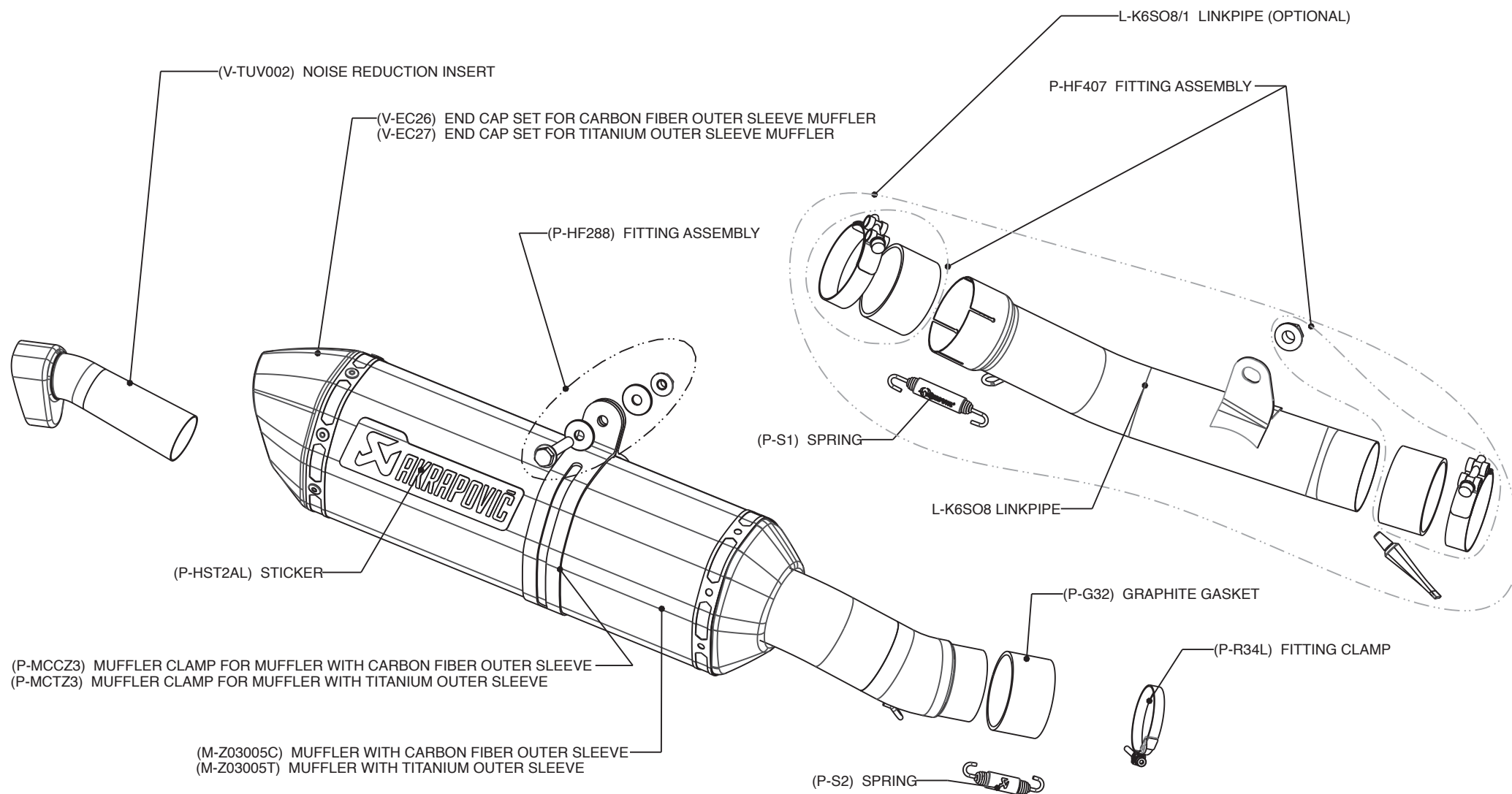


PERFORMANCE					
	stock	AKRAPOVIC		max. increased power	
max. rear wheel power HP / rpm <small>(measured on SuperFlow Cycle Dyn)</small>	113.9 / 13880	116.6 / 14100		2.9 / 14350	
ADDITIONAL DATA					
weight comparison (kg)	stock	AKRAPOVIC		difference	
	2.58	SS link pipe	TITANIUM link pipe	stock - S.S.	stock - TITANIUM
		0.57	-	2.01	-
noise measurements (dB / rpm)	stock		AKRAPOVIC		
	95 / 7000		102 / 7000		
legal for street use	NO				

Technical specifications of Akrapovic exhaust systems and related products subject to change without notice.

Product code: (110246) S-K6SO6-ZC, (110245) S-K6SO6-ZT
 Optional link pipe: (111260) L-K6SO8/1





Product code: (110246) S-K6SO6-ZC, (110245) S-K6SO6-ZT
 Optional link pipe: (111260) L-K6SO8/1